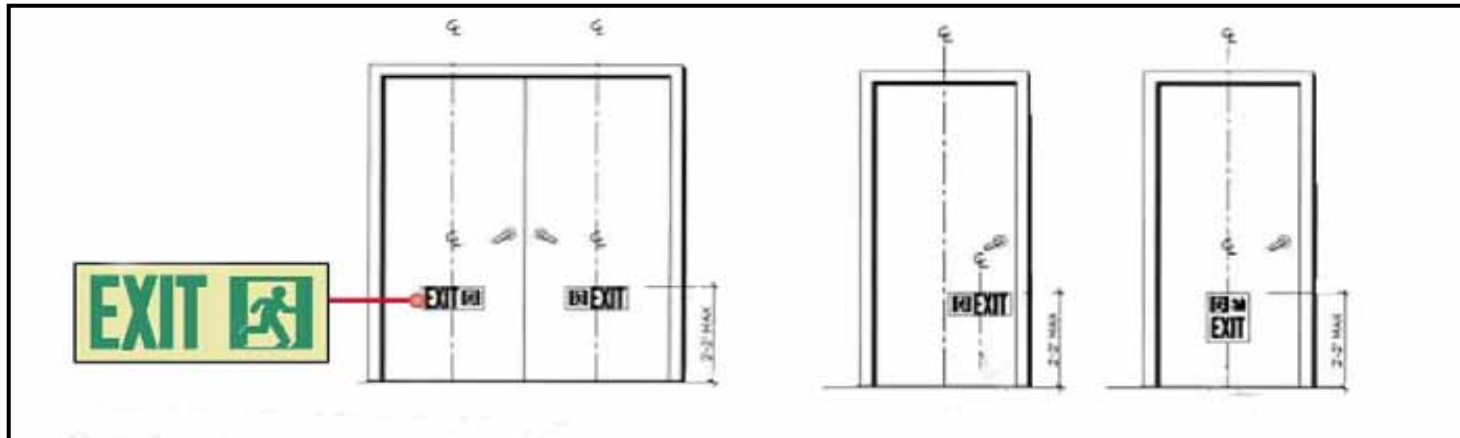


CORRIDOR EXIT DOOR MARKINGS

Man Running Exit Sign - Glo Brite Rigid - 2.1.1.1



<u>Part No.</u>	<u>Description</u>	<u>Packaging</u>	<u>Qty Needed</u>	<u>Cost</u>
50R-2SN-R	4-1/2" x 13"	1 ea.		
50R-2SN-L	4-1/2" x 13"	1 ea.		



INITIAL & INTERMEDIATE STAIR LANDING MARKINGS

Stair Landing Rigid Wall Marking - Glo Brite Rigid - 2.2.4.2



<u>Part No.</u>	<u>Description</u>	<u>Packaging</u>	<u>Qty Needed</u>	<u>Cost</u>
50R-1X48-T	1" x 48" Strip w/ tape	100pc/Case		
50R-1x48	1" x 48" Strip	100pc/Case		

Stair Landing Floor Marking - Glo Brite Safety Track - 2.2.4.1



<u>Part No.</u>	<u>Description</u>	<u>Packaging</u>	<u>Qty Needed</u>	<u>Cost</u>
3450-1-N	1" x 60' Roll	12 Rolls/Case		
3450-2-N	2" x 60' Roll	6 Rolls/Case		

Stair Landing Man Running Directional - Glo Brite Rigid - 2.2.6 / 2.2.7



<u>Part No.</u>	<u>Description</u>	<u>Packaging</u>	<u>Qty Needed</u>	<u>Cost</u>
50R-1SN-F	4-1/2" x 8" - Forward	1 ea		
50R-1SN-UR	4-1/2" x 8" - Up Right	1 ea		
50R-1SN-R	4-1/2" x 8" - Right	1 ea		
50R-1SN-DR	4-1/2" x 8" - Down Right	1 ea		
50R-1SN-D	4-1/2" x 8" - Down	1 ea		
50R-1SN-DL	4-1/2" x 8" - Down Left	1 ea		
50R-1SN-L	4-1/2" x 8" - Left	1 ea		
50R-1SN-UL	4-1/2" x 8" - Up Left	1 ea		

STAIR MARKINGS

Leading Edge Marker - Glo Brite Safety Track - 2.2.2

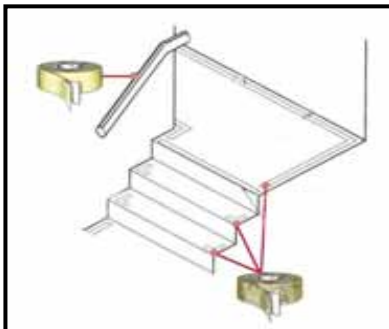


<u>Part No.</u>	<u>Description</u>	<u>Packaging</u>	<u>Qty Needed</u>	<u>Cost</u>
3450-1-N	1" x 60' Roll	12 Rolls/Case		
3450-2-N	2" x 60' Roll	6 Rolls/Case		

"L" Leading Edge Marker - Glo Brite Safety Track - 2.2.1



<u>Part No.</u>	<u>Description</u>	<u>Packaging</u>	<u>Qty Needed</u>	<u>Cost</u>
3450-L1-N	1" x 3" x 9"	100 Sets/Case		
3450-L2-N	2" x 4" x 9"	100 Sets/Case		



Handrail Marker - 2.2.3

<u>Part No.</u>	<u>Packaging</u>	<u>Qty Needed</u>	<u>Cost</u>
50F-1	12 Rolls/Case		

LANDING & OBSTRUCTION MARKINGS

Not An Exit - Glo Brite Rigid - 2.2.8

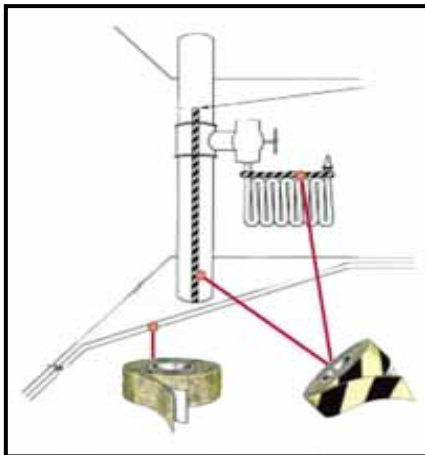


<u>Part No.</u>	<u>Description</u>	<u>Packaging</u>	<u>Qty Needed</u>	<u>Cost</u>
50R-5SN	6-1/2 " x 5-1/2"	1 ea		

Obstruction Tape - Glo Brite High Tack - 2.2.5



<u>Part No.</u>	<u>Description</u>	<u>Packaging</u>	<u>Qty Needed</u>	<u>Cost</u>
50F-1STP	1" x 100'	12 Rolls/Case		
50F-2STP	2" x 100'	6 Rolls/Case		



Stair Landing Floor Marking - Glo Brite Safety Track - 2.2.4.1

<u>Part No.</u>	<u>Packaging</u>	<u>Qty Needed</u>	<u>Cost</u>
3450-1-N	12 Rolls/Case		
3450-2-N	6 Rolls/Case		

FINAL & INTERMEDIATE EXIT DOOR MARKINGS

Door Outlining Material - Glo Brite High Tack - 2.2.9.3

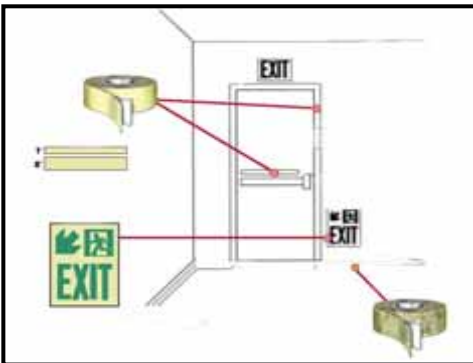


<u>Part No.</u>	<u>Description</u>	<u>Packaging</u>	<u>Qty Needed</u>	<u>Cost</u>
50F-1	1" x 100'	12 Rolls/Case		

Door Handle Marker - Glo Brite High Tack & Rigid - 2.2.9.2



<u>Part No.</u>	<u>Description</u>	<u>Packaging</u>	<u>Qty Needed</u>	<u>Cost</u>
50F-DH	4" x 4" Square (HT)	50 pc/Case		
50R-DH	4" x 4" Square (Rigid)	50 pc/Case		
50F-1	1" x 100'	12 Rolls/Case		



Man Running Intermediate Exit w/ Arrow - 2.2.9.1

<u>Part No.</u>	<u>Description</u>	<u>Qty Needed</u>	<u>Cost</u>
50R-6SN-F	9" x 8" Forward		
50R-6SN-UR	9" x 8" Up Right		
50R-6SN-R	9" x 8" Right		
50R-6SN-DR	9" x 8" Down Right		
50R-6SN-DL	9" x 8" Down Left		
50R-6SN-L	9" x 8" Left		
50R-6SN-UL	9" x 8" Up Left		

FINAL & INTERMEDIATE EXIT DOOR MARKINGS

Final Exit Sign - Glo Brite Rigid - 2.2.9.1



<u>Part No.</u>	<u>Description</u>	<u>Packaging</u>	<u>Qty Needed</u>	<u>Cost</u>
50R-3SN-R	11" x 18" Right	1 ea		
50R-3SN-UR	11" x 18" Up Right	1 ea		
50R-3SN-L	11" x 18" Left	1 ea		
50R-3SN-UL	11" x 18" Up Left	1 ea		

Exit Through Lobby - Glo Brite Rigid - 2.2.9.1



<u>Part No.</u>	<u>Description</u>	<u>Packaging</u>	<u>Qty Needed</u>	<u>Cost</u>
50R-4SN-R	7" x 16" Right	1 ea		
50R-4SN-UR	7" x 16" Up Right	1 ea		
50R-4SN-L	7" x 16" Left	1 ea		
50R-4SN-UL	7" x 16" Up Left	1 ea		